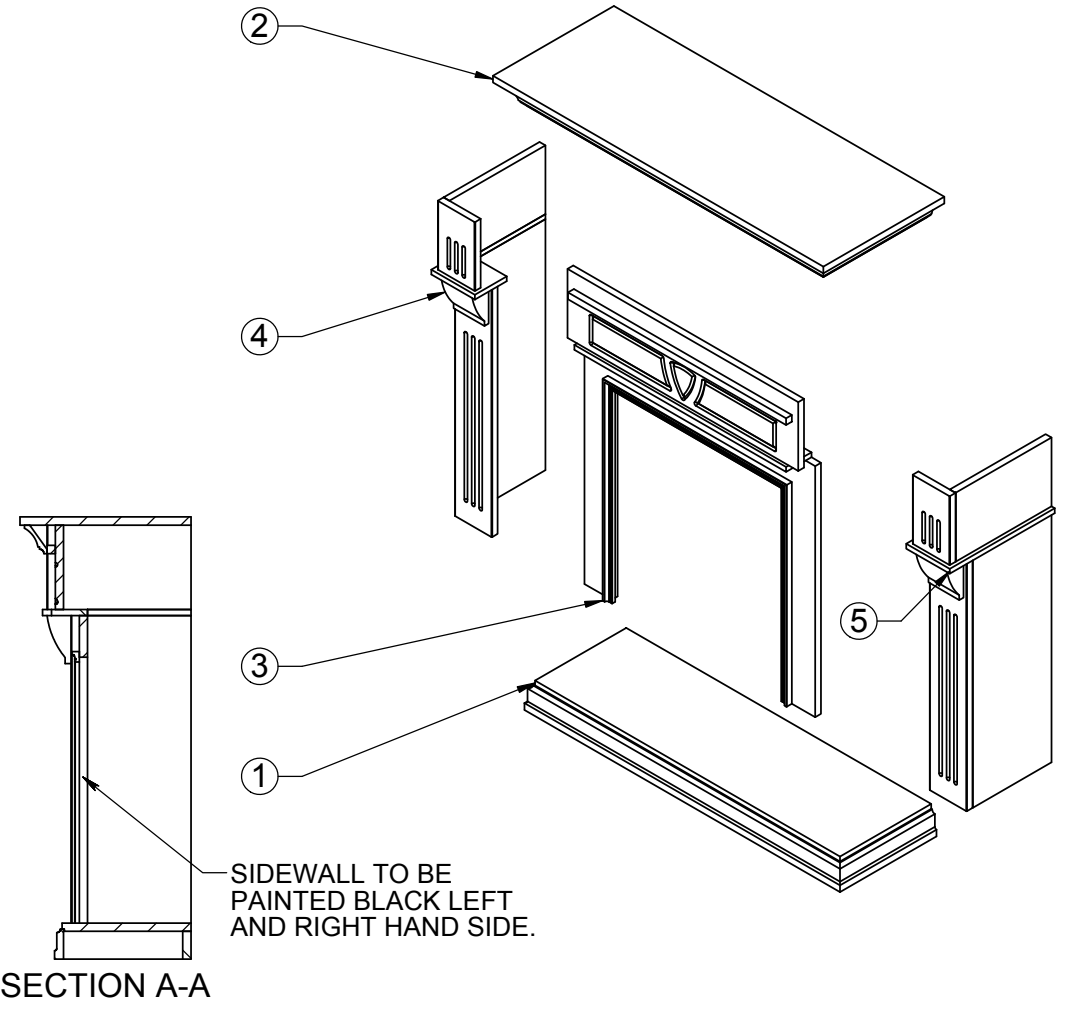
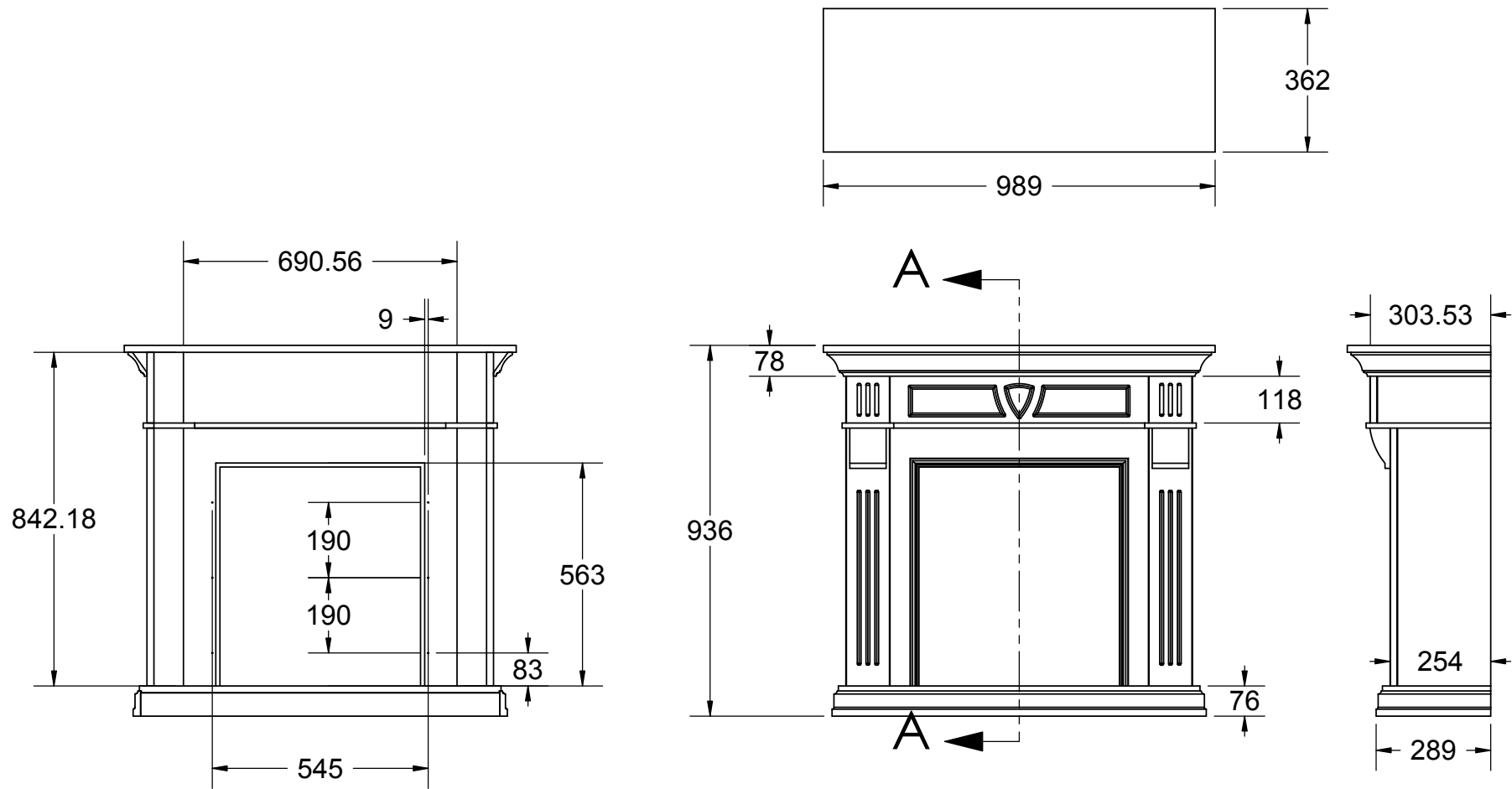


| REVISIONS |   |          |       |      |
|-----------|---|----------|-------|------|
| REV.      | DESCRIPTION                                 | DATE     | PCN   | IN'L |
| 00        | FIRST ISSUE                                 | 21/12/07 | 10379 | RA   |
| 01        | REVISED HEADER DETAIL AND FLUTES            | 16/01/08 | 10379 | RA   |
| 02        | removed alabaster finish added white finish | 7/5/08   | 10379 | RA   |
| 03        | added BOM for mantel                        | 12/18/08 | 11104 | RA   |
| 04        | revised finish #                            | 1/10/09  | 11130 | ra   |



SECTION A-A  
 SIDEWALL TO BE PAINTED BLACK LEFT AND RIGHT HAND SIDE.

- NOTES:
- PART #6904790100 AS SHOWN.
  - USE SUITABLE HARDWARE TO SECURE ENGINE ASSEMBLY TO MANTEL.
  - MATERIAL: MDF.
  - FINISH AS PER ASSEMBLY # 6903050000, EFP9997AW FINISH CODE #07, EFP9997W FINISH CODE # 01.
  - COMPONENTS TO BE SECURELY ATTACHED BY MEANS OF GLUE, NAILS AND/OR SCREWS.
  - NO NAILING ON ANY OF THE VISIBLE SURFACES.
  - NO GAPS ALLOWED ON ANY OF THE VISIBLE SURFACES.
  - ALL VISIBLE SURFACES TO BE FINISHED WITHOUT ANY VISIBLE DEFECTS.
  - ALL DIMENSIONS TO OUTSIDE EDGES UNLESS OTHERWISE SPECIFIED.
  - ANY DIMENSIONS NOT SHOWN PLEASE REFER TO SOLID MODEL PROVIDED BY DIMPLEX N.A.
  - TOLERANCES: ALL DIMENSIONS OVER 15mm TO BE  $\pm 1.5\text{mm}$  UNLESS OTHERWISE SPECIFIED; ALL DIMENSIONS UNDER 15mm TO BE  $\pm 0.75\text{mm}$  UNLESS OTHERWISE SPECIFIED.
  - USE SUITABLE HARDWARE TO INSTALL AND SECURE TO MANTEL FOUR PLASTIC LEGS, 3/16" (4.75mm) MAX HEIGHT.

| ITEM NO. | PART NUMBER | DESCRIPTION    | QTY. | Rev |
|----------|-------------|----------------|------|-----|
| 5        | 1115740200  | MANTEL SIDE RH | 1    | 00  |
| 4        | 1115740100  | MANTEL SIDE LH | 1    | 01  |
| 3        | 1115720000  | CENTRE FRAME   | 1    | 01  |
| 2        | 1115710000  | TOP            | 1    | 00  |
| 1        | 1115730000  | BASE           | 1    | 00  |

**R.o.H.S**  
 All material must comply with the requirements of European Directive 2002/95/EC on the restriction of the use of certain hazardous substances

|  |  |                   |  |                         |  |                               |  |
|--|--|-------------------|--|-------------------------|--|-------------------------------|--|
| UNLESS OTHERWISE SPECIFIED   |  | MATERIAL: N/A     |  | TITLE: MANTEL - EFP9997 |  | REV.: 04                      |  |
| No sharp edges on all parts. ALL DIM. IN INCHES DO NOT SCALE FLAT IS FOR REFERENCE ONLY TOLERANCES: X.XX $\pm 0.13$ X.X $\pm 0.75$ X. $\pm 2.50$ HOLES: $\pm 0.13$ ANGLES: $\pm 2^\circ$   |  | FINISH: SEE NOTES |  | WHERE USED: EXPORT      |  | DWG NO.: 6904790000           |  |
| THIS SYMBOL REPRESENTS A CONTROL DIMENSION. CONTROL DIMENSIONS ARE CONSIDERED TO BE A GOOD INDICATOR OF WHETHER A MANUFACTURING PROCESS IS IN CONTROL. THESE DIM. MUST HAVE A MIN. Cpk OF 1.33 FOR A SAMPLE 31 CONSECUTIVE PIECES. |  | DR BY: RA         |  | DEC 20/07               |  | SHEET: 1 OF 1                 |  |
| SCALE: 1:16  |  | DATE              |  | SIZE: B                 |  | Dimplex North America Limited |  |